

Fig.1

Step 1

Joint above tube and under tube according to figure 1.

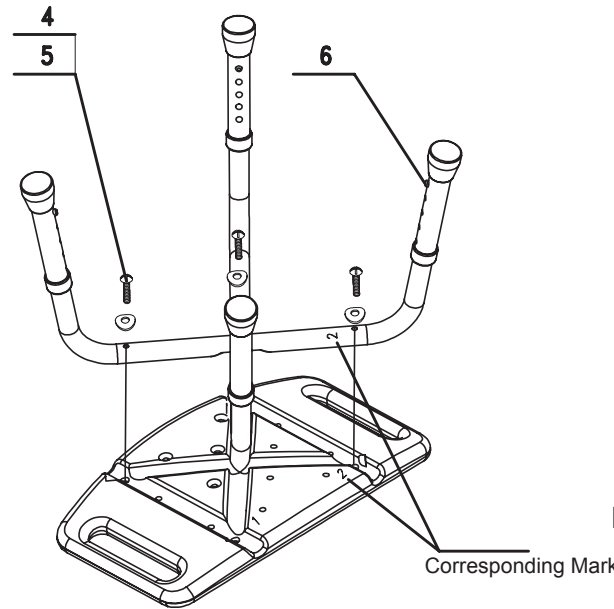


Fig.2

Step 2

Reversely place the seat board and put the joining frame into the assembly trough making mark 1 correspond to mark 2 according to figure 2; then tighten all screws.

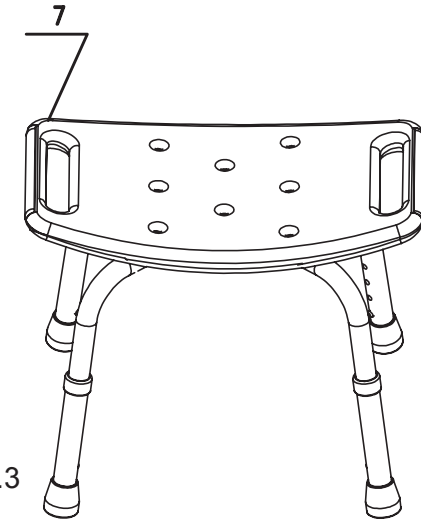


Fig.3

Step 3

Flatly place the assembled Bathmate Bench, then equally adjust the four legs to a suitable height. Remember to check the spring pin after use.

Safety & Maintenance

1. Check the tightness of screws and structural stability before sitting on; loading capacity must not be over 100kg.
2. Clean frequently and sterilize periodically; store in a dry and ventilated environment.

S.No.	Parts Name	Quantity per Unit
1	Above Tube	1
2	Under Tube	4
3	Telescopic Tube	5
4	Screw (M6x35)	5
5	Vaulted Washer	4
6	Spring Pin	1
7	Seat Board	1